



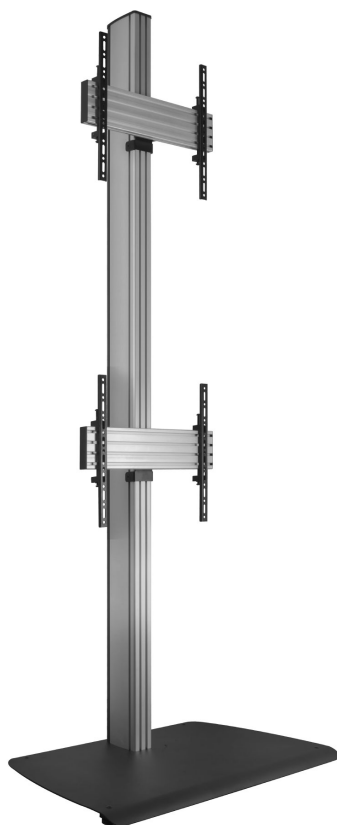
BTF842

SYSTEM X™

UNIVERSAL DUAL STACK FLAT SCREEN FLOOR STAND (2.4M) INSTALLATION GUIDE & PARTS LIST

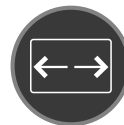
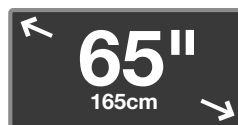
This Pack Contains 1 Floor Stand

PLEASE KEEP THIS FOR FUTURE REFERENCE



FEATURES

- Freestanding floor stand designed to mount two flat screens one above the other
- Recommended for flat screens up to 65" (165cm)
- Max weight: 35kg (*per screen*)
- Suitable for screens with VESA® & non-VESA fixings up to 600 x 400mm
- Dimensions: **W.** 890mm **H.** 2441mm **D.** 604mm
- Universal design suitable for screens in a portrait or landscape orientation
- Supplied with adjustable levelling feet to accommodate uneven floor surfaces
- Can also be bolted to the floor
- Interface arms feature height adjustment screws to help level the screens
- Safety screws help prevent unauthorised screen removal
- Additional accessories such as shelves (*available separately*) can be fitted directly to the column
- Integrated cable management
- Simple 'hook-on' screen installation
- All mounting hardware included



PER SCREEN

CONTENTS

Installation Safety Notes.....	2
Parts List.....	4
Installation Instructions.....	6
Product Dimensions.....	15
B-Tech Contact Details.....	16

INSTALLATION TOOLS REQUIRED

Crosshead
screwdriver



10mm Spanner



Knife



B-TECH AV MOUNTS
www.btechavmounts.com

INSTALLATION SAFETY INSTRUCTIONS



CAUTION: This stand is intended for use only with the maximum weights indicated. Use with flat screens heavier than the maximum indicated may result in instability causing possible injury.

Do not attempt to install this product until all instructions and warnings have been read and properly understood. Please keep these instructions for future reference. Please check carefully to make sure there are no missing or defective parts - defective parts must never be used. B-Tech International Design & Manufacturing Ltd, its distributors and dealers are not liable or responsible for damage or injury caused by improper installation, improper use or failure to observe these safety instructions. In such cases, all guarantees will expire.

General

Great care must always be taken during installation as most AV equipment is of a fragile nature, possibly heavy and easily damaged if dropped. If you do not fully understand the instructions or are not sure how to install this product safely, then please consult a professional for advice and/or to install this product for you. Failure to mount this product correctly may cause serious injury or death both during installation and at any time thereafter. Do not mount any AV equipment that exceeds the specific weight limit of the product you are installing. This weight limit will be clearly stated on each product and its packaging and will vary from product to product.

Product location

Please pay careful attention to where this product is located, some locations are not suitable for installation. For indoor use only. Install stand on level ground. When verifying the stability of the structure, consider the following external factors: The strength of the floor, exposure to sudden and severe wind and danger arising from contact with people and / or objects (eg installations in passageways, emergency exits), if located in a public or frequently populated area ensure that the product is out of the immediate reach of people.

Fixing hardware

It is highly recommended that all fixing screws be used where supplied and that the purpose of all other fixing hardware is fully understood. In some cases more AV equipment fixing hardware will be supplied to accommodate different models of equipment and set up configurations. The installer must be satisfied that any supplied fixing hardware is suitable for each specific installation. If any fixing screws or included hardware are deemed not sufficient for a safe installation then please consult a professional or your local hardware store.

Hazard limitation

When routing cables take advantage of any built in cable management features that the product might provide and ensure that all cables are tidy and secure. Check to see that any moving aspect of the product can do so unhindered by any cabling.

Some products have moving parts and the potential to cause injury through the crushing or trapping of fingers or other body parts.

Particular attention to the nature of moving parts is required especially when assembling installing and adjusting during set up.

Immediately after installations double-check that the work done is safe and secure. Double-check all necessary fixings are present and are of ample tightness.

It is recommended that periodic inspections of the product and its fixing points are made as frequently as possible to ensure that safety is maintained. If in doubt consult a professional AV installer or other suitably qualified person.

CS

Společnost B-Tech International Design And Manufacturing Ltd. doporučuje provést instalaci tohoto produktu instalátora AV či jinak způsobilé osoby. Společnost B-Tech International Design And Manufacturing Ltd, její distributoři a prodejci nenesou prostřednictvím odborného odpov ědnost za škody nebo zranění způsobená nevhodnou instalací. Tento výrobek je nutno umístit do vhodné konstrukce a používat jen po uvedené maximální výšce.

DE

B-Tech International Design And Manufacturing Ltd. empfiehlt, dass dieses Produkt durch einen qualifizierten AV-Techniker oder eine andere Person mit geeigneter Qualifikation installiert wird. B-Tech International Design And Manufacturing Ltd, ihre Distributoren und Händler können nicht für durch fehlerhafte Montage verursachte Beschädigung oder Verletzung haftbar bzw. verantwortlich gemacht werden. Dieses Produkt muss auf eine geeigneten Untergrund montiert werden und darf nur bis zum angegebenen Höchstgewicht verwendet werden.

ES

B-Tech International Design And Manufacturing Ltd. recomienda que un instalador de audio y video profesional u otra persona debidamente cualificada instalen este producto. B-Tech International Design And Manufacturing Ltd, sus distribuidores y concesionarios no se hacen cargo ni se responsabilizan de ningún daño o lesión provocados por una instalación inapropiada. Este producto se debe montar en una estructura adecuada y se debe utilizar soportando solamente hasta el peso máximo indicado.

FR

B-Tech International Design And Manufacturing Ltd. recommande de confier l'installation de ce produit à un installateur AV professionnel ou à une autre personne dûment qualifiée. B-Tech International Design And Manufacturing Ltd, ses distributeurs et ses revendeurs ne sauraient être tenus responsables de tout dégât ou de toute blessure résultant d'une installation incorrecte. Ce produit doit être monté sur un support approprié et utilisé dans la limite du poids maximum indiqué.

IT

B-Tech International Design And Manufacturing Ltd. consiglia di affidare l'installazione di questo prodotto a un installatore specializzato o ad altra persona adeguatamente qualificata. B-Tech International Design And Manufacturing Ltd. i suoi distributori e rivenditori non accettano alcuna responsabilità nei riguardi di eventuali danni o infortuni causati da un'errata installazione. Questo prodotto deve essere fissato a una struttura idonea e utilizzato unicamente sino al peso massimo indicato.

NL

B-Tech International Design And Manufacturing Ltd. adviseert om dit product te laten installeren door een professionele AV-instalateur of andere hiervoor gekwalificeerde persoon. B-Tech International Design And Manufacturing Ltd, haar distributeurs en dealers zijn niet aansprakelijk of verantwoordelijk voor schade of letsel die is veroorzaakt door onoordeelkundige installatie. Dit product moet worden gemonteerd aan een geschikte constructie, waarbij het aangegeven maximum gewicht niet mag worden overschreden.

PL

Firma B-Tech International Design And Manufacturing Ltd. zaleca, aby ten produkt był instalowany przez profesjonalnych instalatorów AV lub inny odpowiednio przeszkolony personel. Firma B-Tech International Design And Manufacturing Ltd, jej dystrybutorzy i dealerzy nie ponoszą odpowiedzialności za uszkodzenia lub obrażenia ciała powstałe w wyniku nieprawidłowej instalacji. Niniejszy produkt musi być zamontowany na odpowiedniej powierzchni, a podczas u żytkowania nie wolno przekraczać podanego maksymalnego obciążenia.

PT

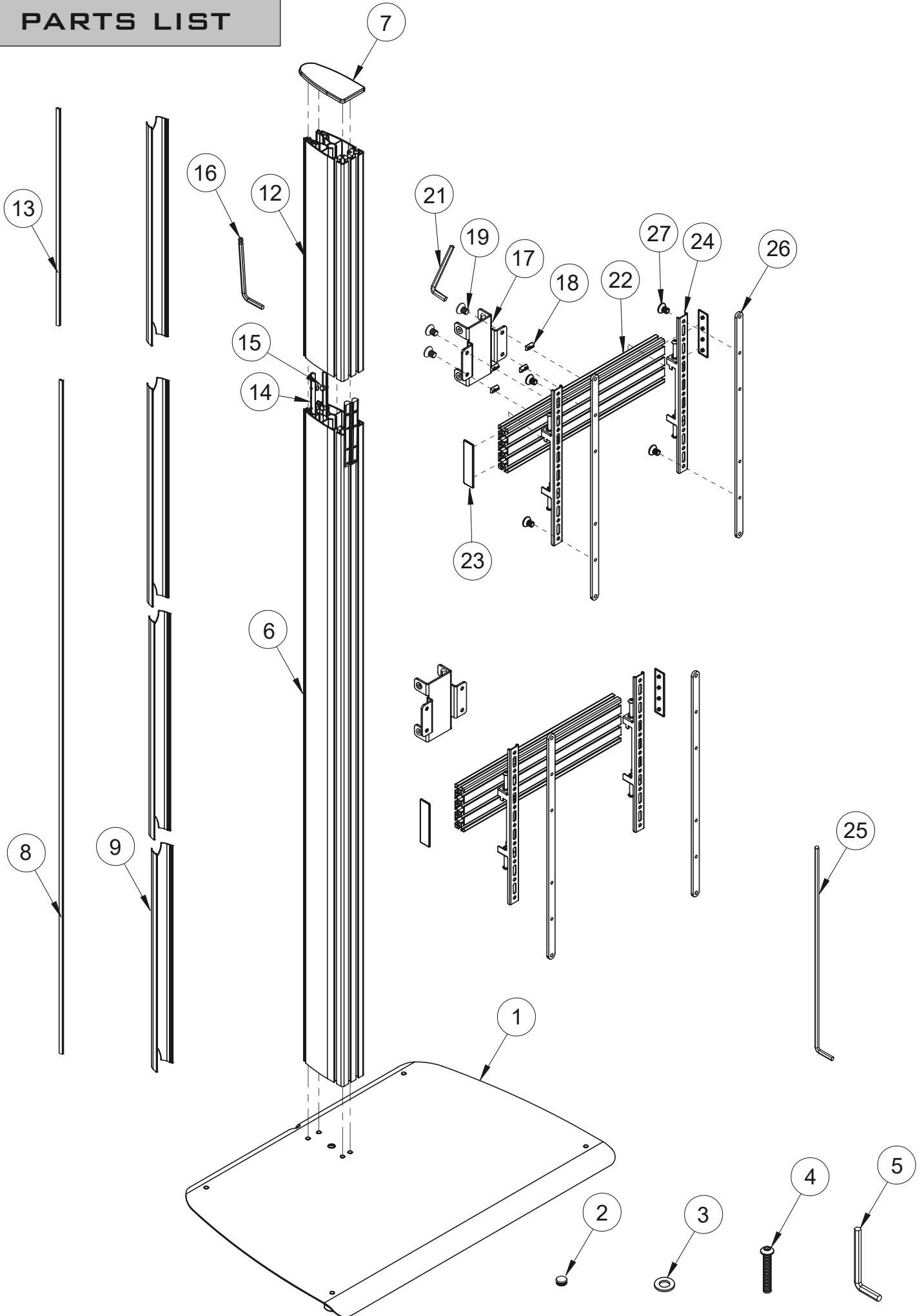
A B-Tech International Design And Manufacturing Ltd. recomenda que a instalação deste produto seja efectuada por um instalador de AV instalador de AV profissional ou outra pessoa devidamente habilitada. A B-Tech International Design And Manufacturing Ltd. e os seus distribuidores e concessionários não são responsáveis por danos ou lesões causados por uma instalação incorrecta. Este produto tem de ser montado numa estrutura adequada e utilizado somente até ao peso máximo indicado.

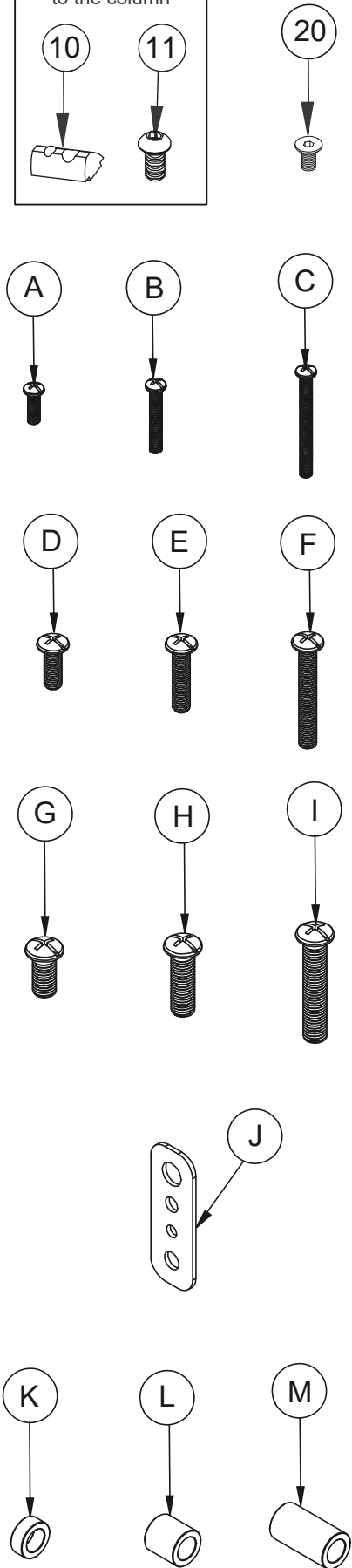
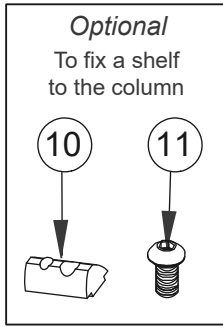
RU

Компания B-Tech International Design And Manufacturing Ltd. рекомендует, чтобы установка данного изделия производилась инженером по установке аудио-видеотехники или другим специалистом с соответствующей квалификацией. Компания B-Tech International Design And Manufacturing Ltd. ее дистрибьюторы и дилеры не несут ответственности за повреждения или травмы, полученные в результате неправильной установки. Данное изделие должно

توصي بي- تك للتجارة الدولية المحدودة بأن شخص محترف في تركيب ال AV او شخص مؤهل تأهيلا مناسباً لتركيب هذا المنتج. بي- تك للتجارة الدولية، موزعيها والتجار ليست عرضة أو مسؤولة عن الأضرار أو الإصابات الناجمة عن تركيب غير سليم، والاستخدام غير السليم أو عدم مراعاة هذه التعليمات للسلامة. يجب أن يتم تركيب هذا المنتج في بنية مناسبة ويجب استخدامه فقط لدعم الحد الأقصى للوزن المشار إليه.

**BTF842
PARTS LIST**





	REF	PART NAME	QTY	
BASE	1	FREE STANDING BASE	1	
	2	HOLE CAP	8	
	3	M8 WASHER	4	
	4	M8 x 50mm SCREW	4	
	5	5AF HEX KEY	1	
COLUMN	6	180cm VERTICAL COLUMN	1	
	7	END CAP	1	
	8	180cm PLASTIC SLOT INSERT	4	
	9	CABLE COVER	4	
	10	M8 SLIDING NUT	2	
	11	M8 x 12mm SCREW	2	
	12	60cm VERTICAL COLUMN	1	
	13	60cm PLASTIC SLOT INSERT	4	
	14	COLUMN JOINER	4	
	15	HEX BOLT	8	
	16	3AF HEX KEY	1	
JOINING KIT	17	JOINING PLATE	2	
	18	M8 SLIDING NUT	16	
	19	M8 x 12mm SCREW	16	
	20	M8 x 16mm SCREW	8	
	21	5AF HEX KEY	2	
RAIL	22	50cm MOUNTING RAIL	2	
	23	END CAP	4	
SCREEN INTERFACE KIT	24	SCREEN INTERFACE ARM	4	
	25	5AF LONG HEX KEY	2	
	26	600mm ADAPTOR ARM	4	
	27	M8 x 12mm SCREW	8	
		REF	SCREEN FIXING KIT	QTY
		A	M4 x 12mm SCREW	8
		B	M4 x 25mm SCREW	8
		C	M4 x 40mm SCREW	8
		D	M6 x 16mm SCREW	8
		E	M6 x 25mm SCREW	8
		F	M6 x 40mm SCREW	8
		G	M8 x 16mm SCREW	8
		H	M8 x 25mm SCREW	8
		I	M8 x 40mm SCREW	8
		J	MULTIWASHER	8
	K	5mm SPACER	8	
	L	13mm SPACER	8	
	M	24mm SPACER	8	

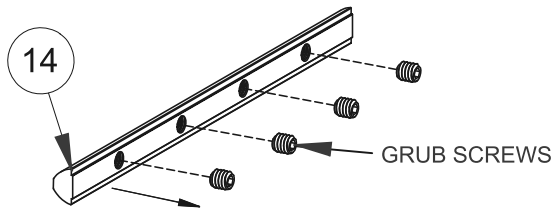
PLEASE KEEP THIS FOR FUTURE REFERENCE

INSTALLATION INSTRUCTIONS

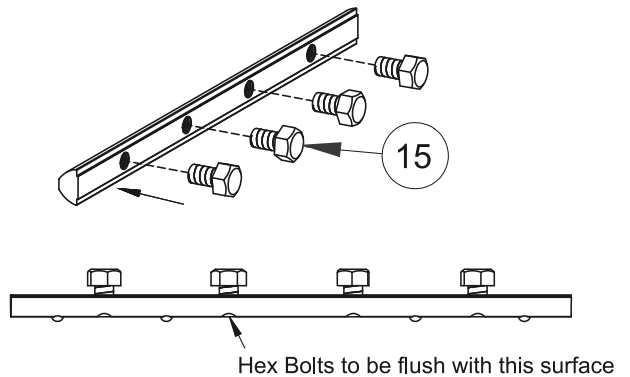
1

Combining the Columns

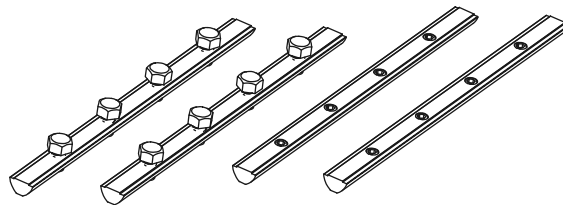
i. Remove all 4 grub screws from two of the column joiners (part 14).



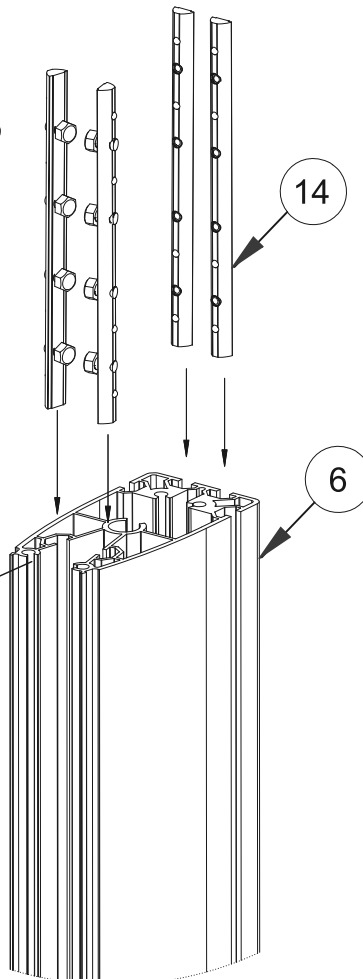
ii. Replace the grub screws with the M6 x 10mm hex bolts (part 15).



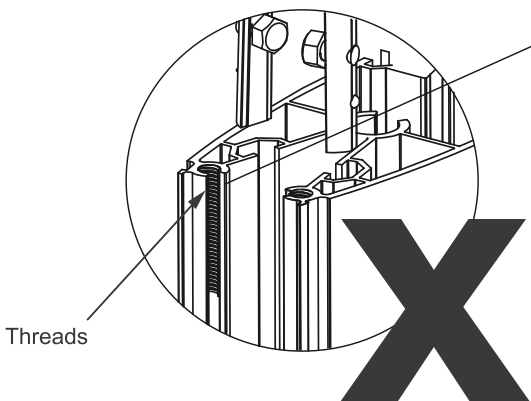
Column joiners prepared for installation



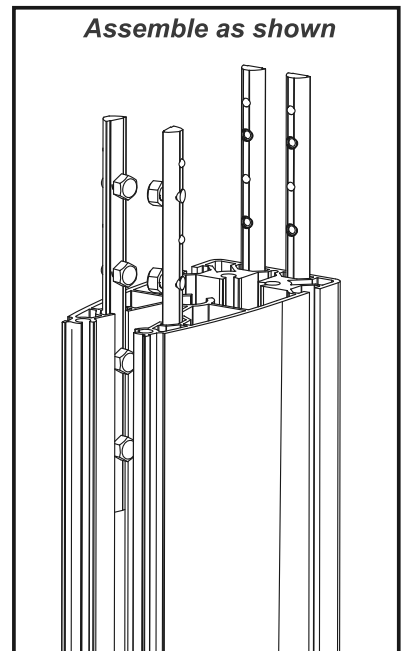
iii. Insert the column joiners (part 14) halfway into the non-threaded end of the 180cm column (part 6).
The two column joiners with grub screws go in the front of the column and the 2 column joiners with hex bolts go in the back.



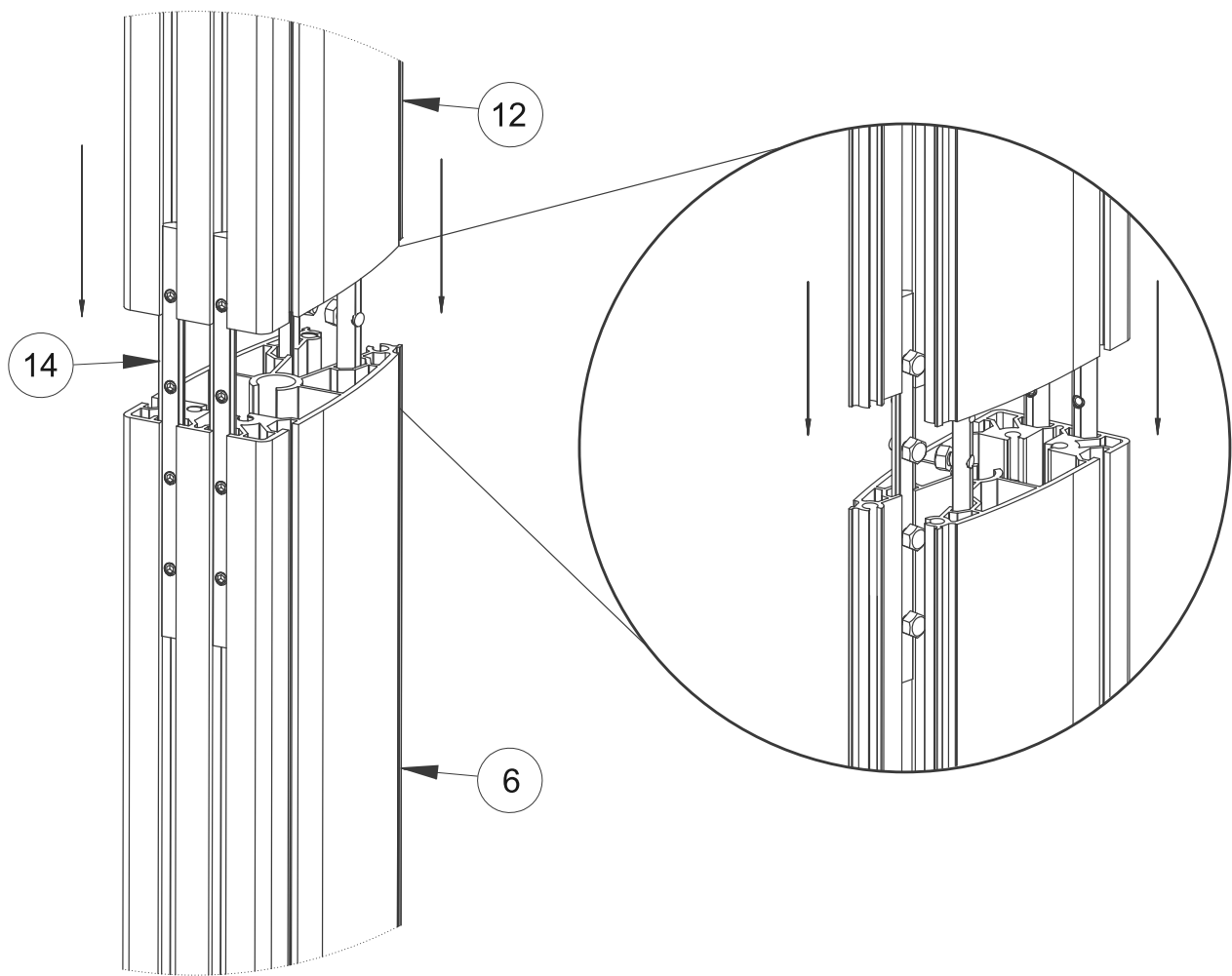
IMPORTANT: Column joiners should be inserted into the non-threaded end of the 180cm column.



Assemble as shown



iv. Slide the 60cm column (part 12) onto the column joiners (part 14).

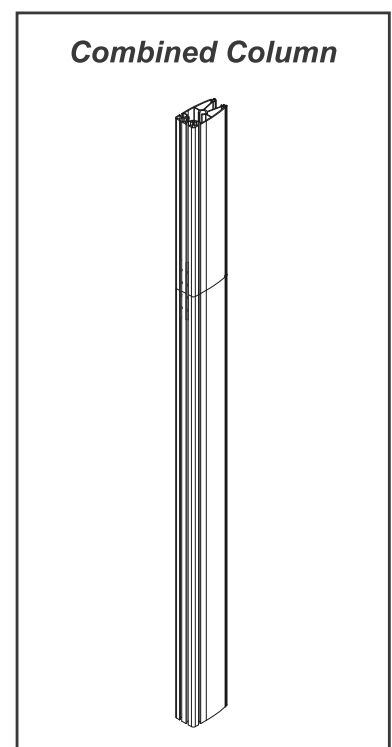
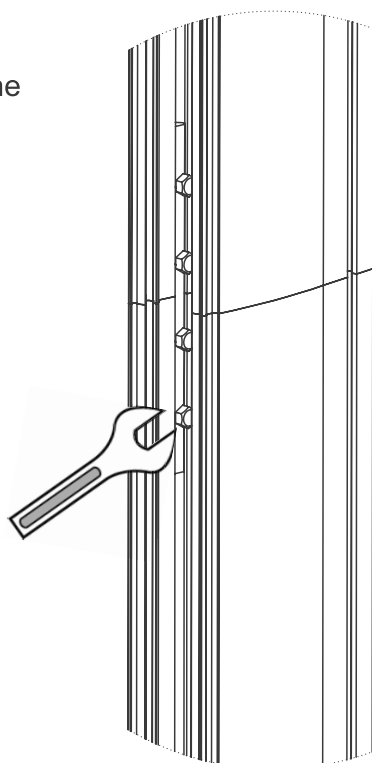


v. **Front of Column**

Tighten all grub screws using the Hex Key (part 16).

Back of Column

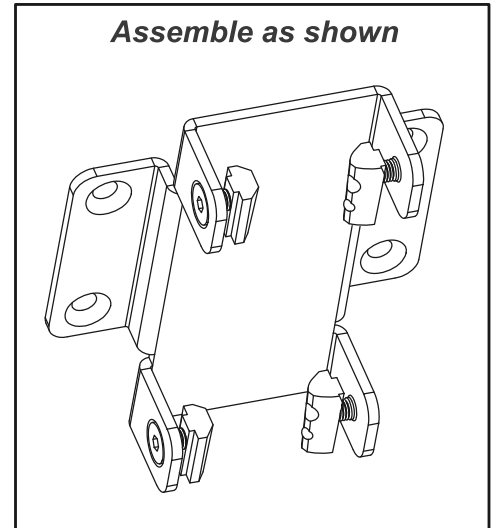
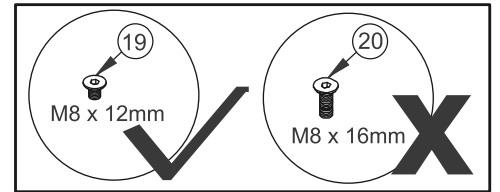
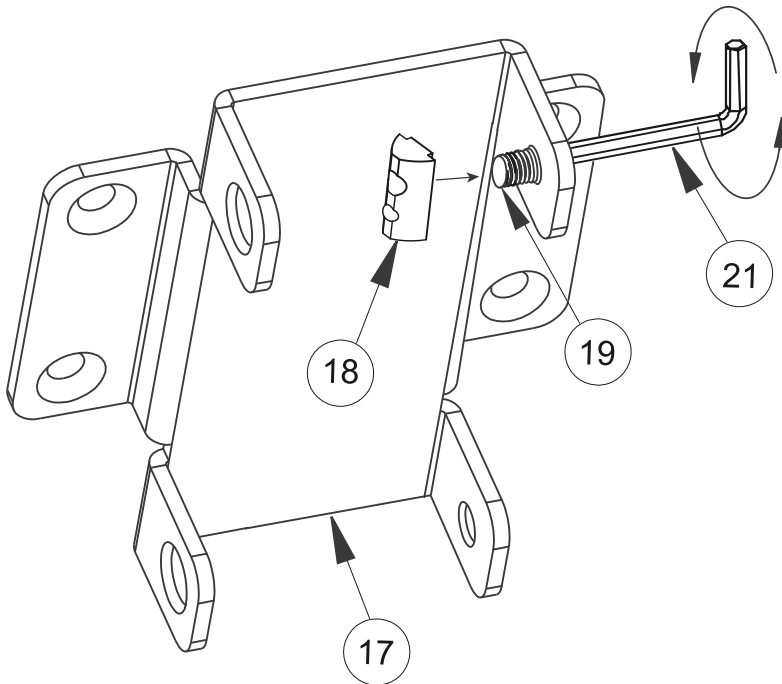
Tighten hex bolts by hand.
Finish tightening using a 10mm spanner.



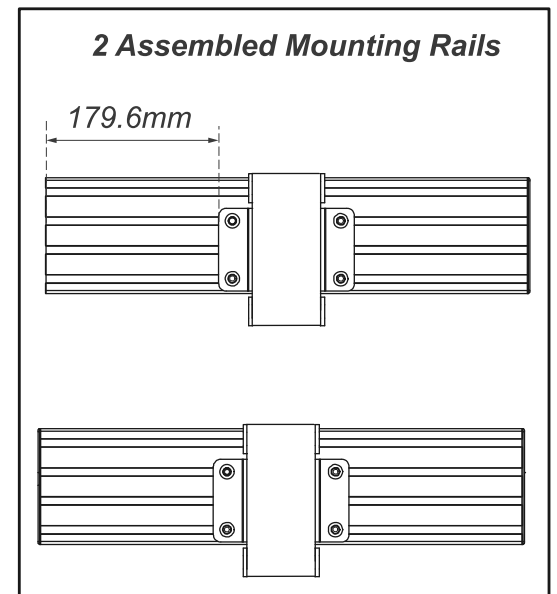
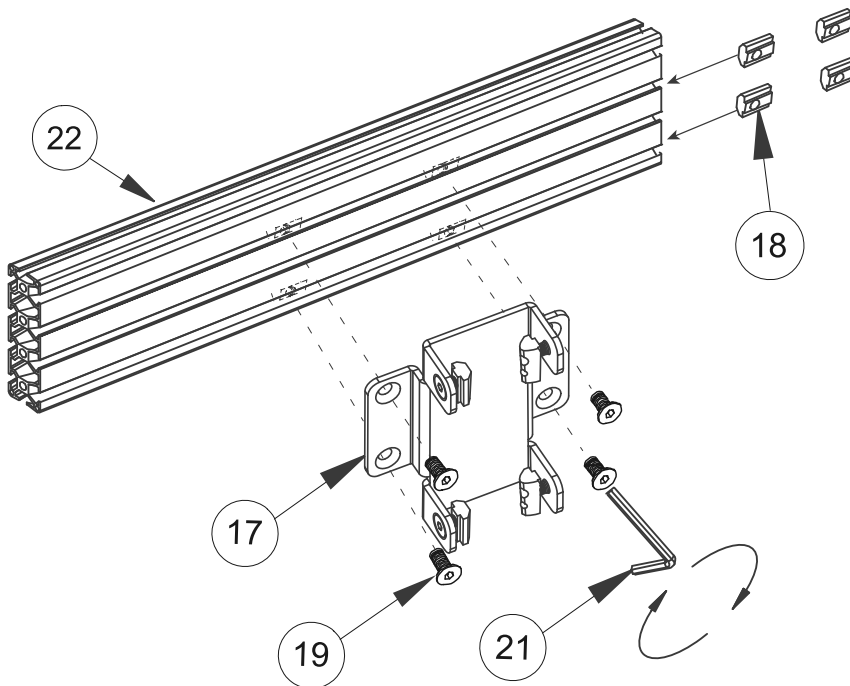
2

Attach Joining Plates to Rails

- i. Assemble each joining plate (part 17) by connecting together 4 x M8 x 12mm screws (part 14) with M8 sliding nuts (part 13).

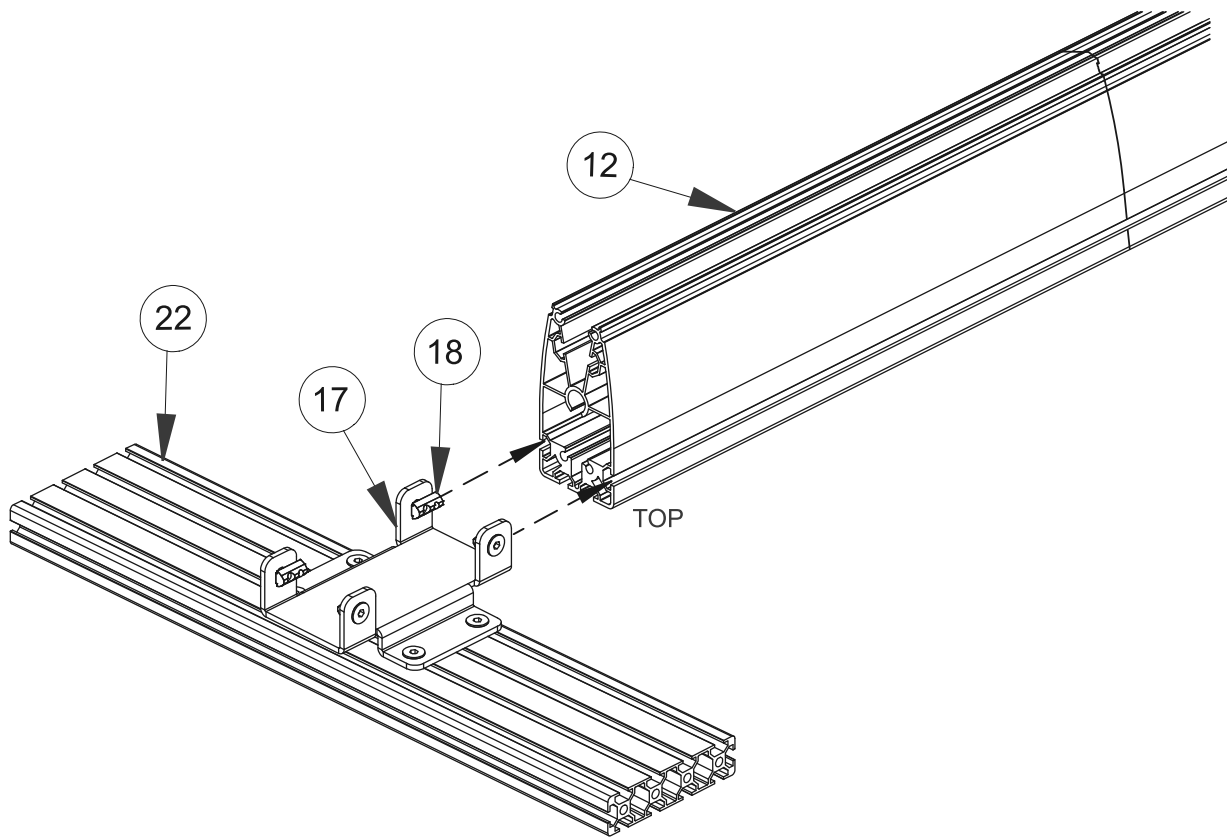


- ii. Insert 2 x M8 sliding nuts (part 18) into the bottom slot of the mounting rail (part 22) and 2 in the 2nd from top slot. Position the M8 sliding nuts centrally on the rail and attach the joining plate (part 17).
iii. Repeat procedure for the 2nd mounting rail.

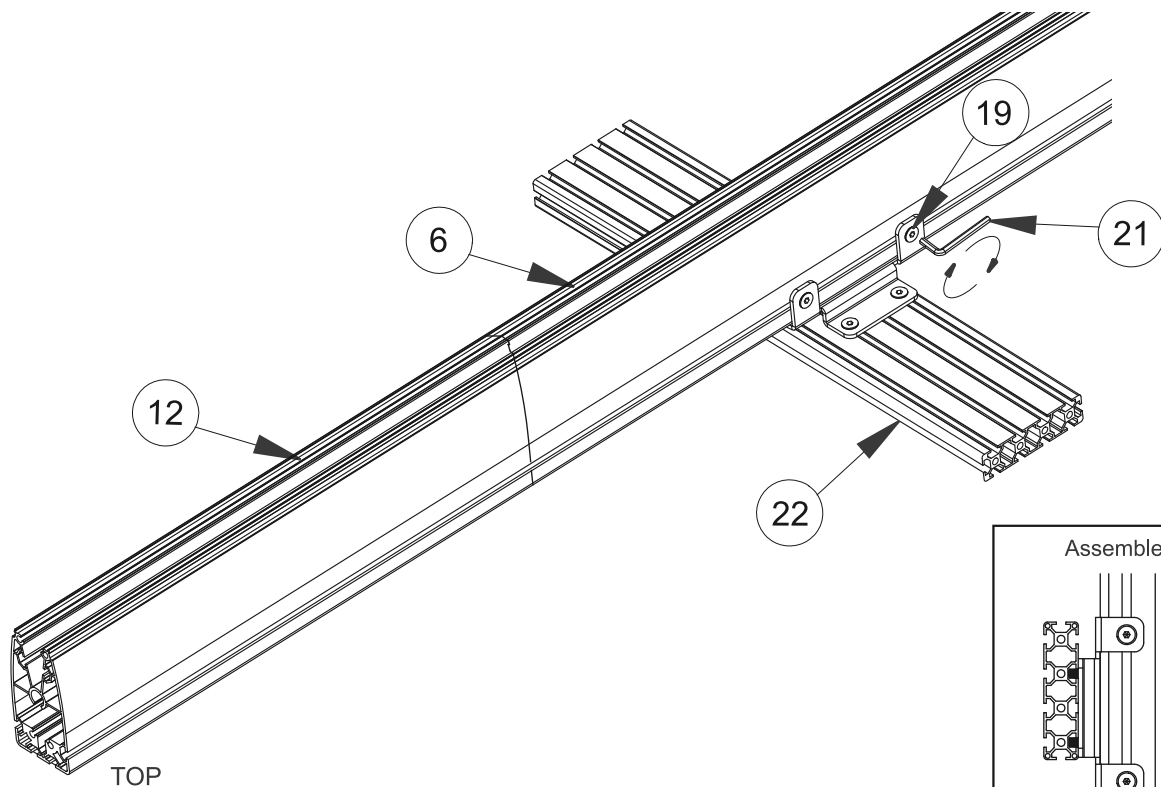


Attach Rails to Column

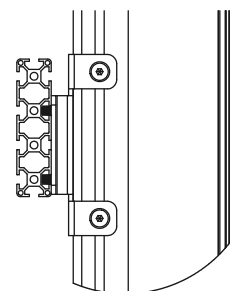
- i. Lay column (parts 6 & 12) on the floor and slide on the first mounting rail / joining plate (parts 22 & 17).



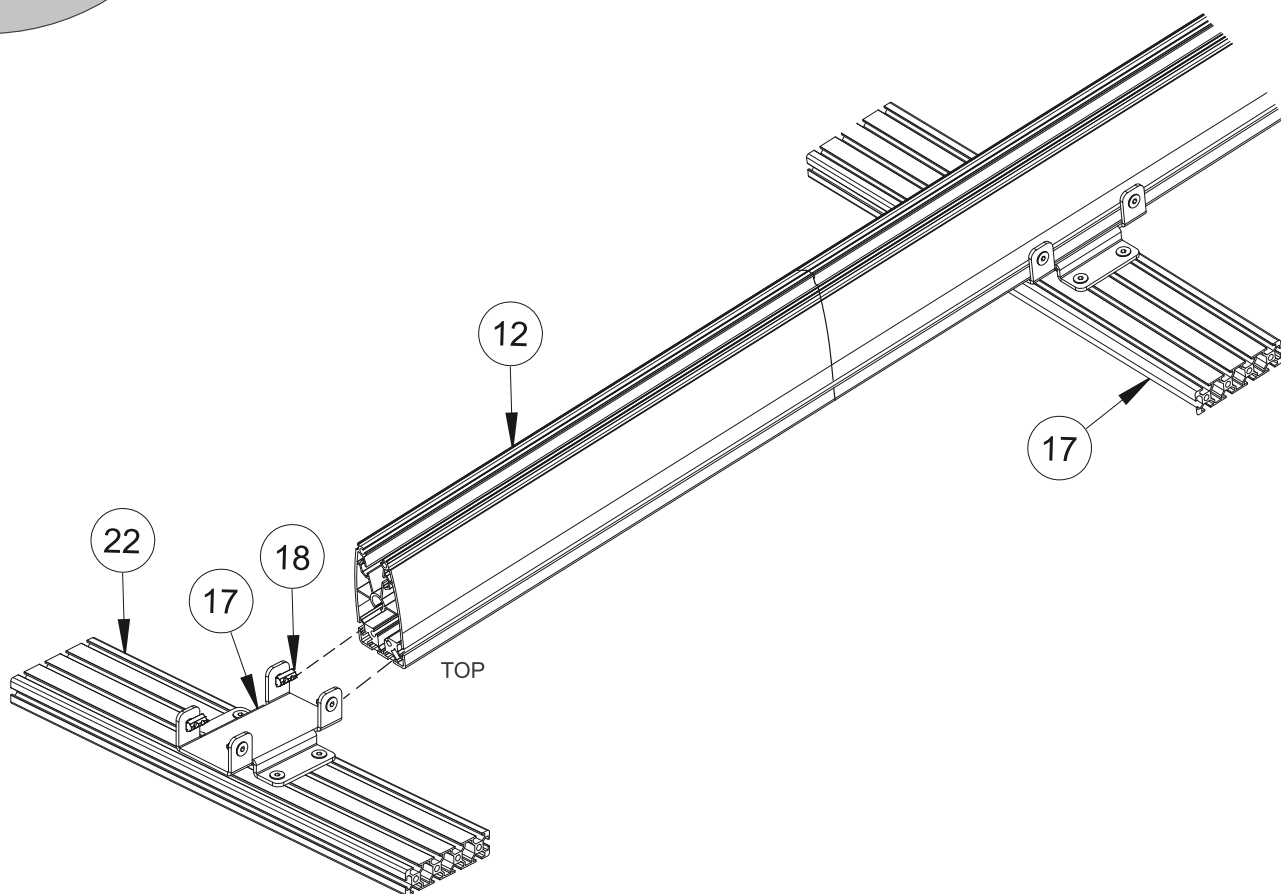
- ii. At the preferred rail height for the bottom screen, tighten the M8 x 12mm screws (part 19) on the side of the joining plate to fix the rail to the column.



Assemble as shown

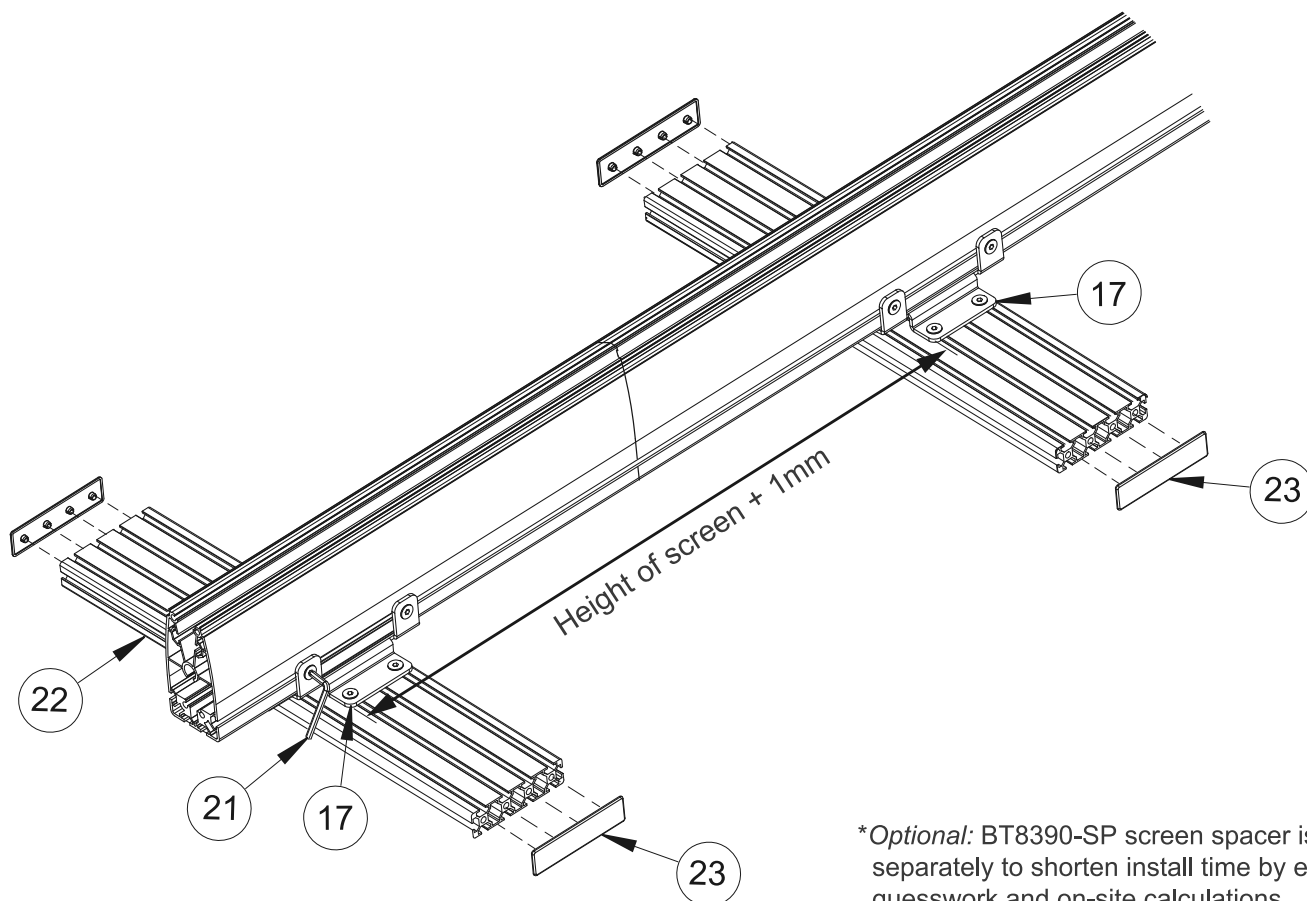


iii. Slide the top rail onto the column.



iv. Using the height of the screen plus 1mm*, set the second rail height by measuring the distance between the top of the lower joining plate (part 17) to the top of the top joining plate (part 17).

v. Add end caps (part 23) to the rails (part 22).

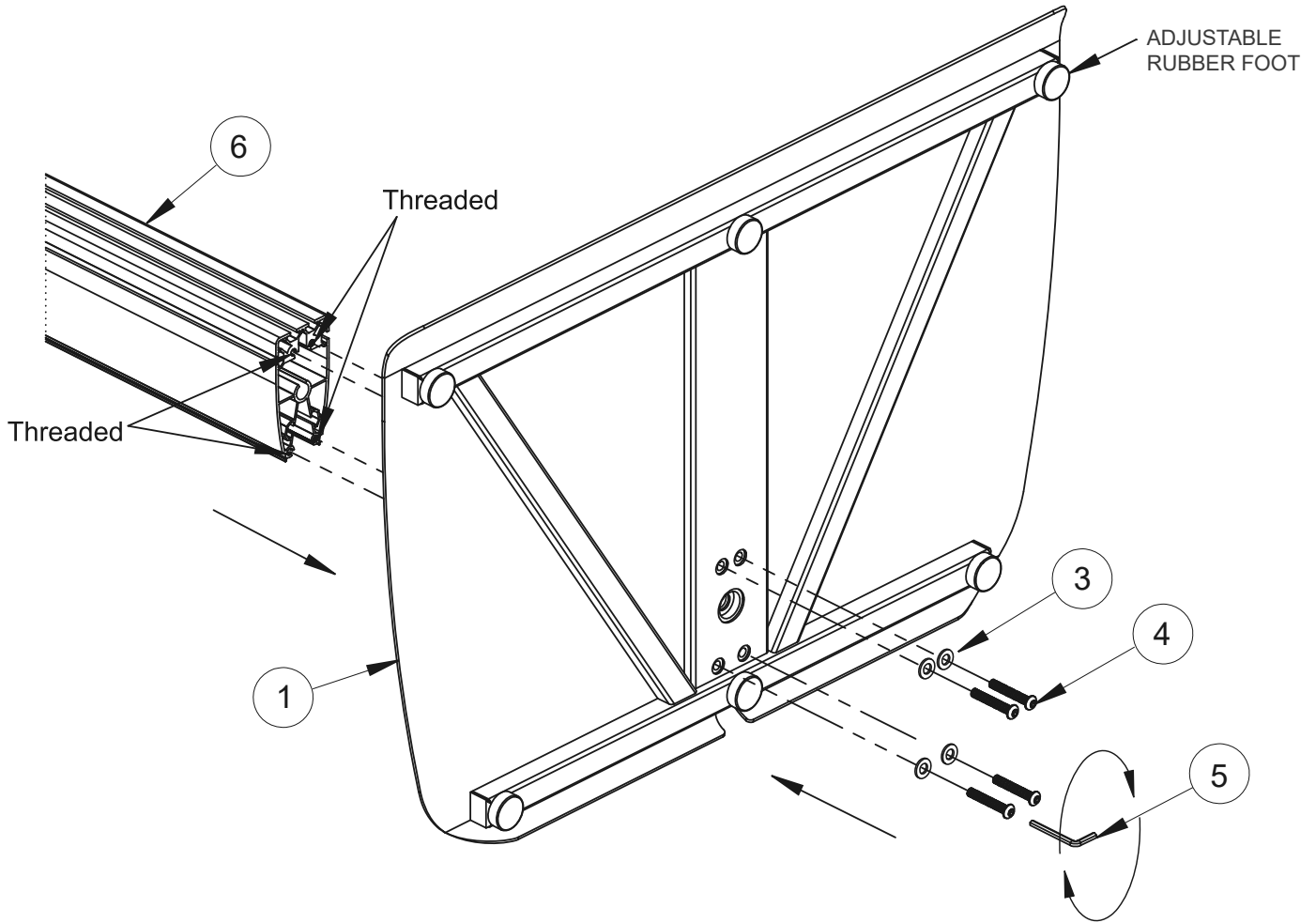


*Optional: BT8390-SP screen spacer is available separately to shorten install time by eliminating guesswork and on-site calculations.

4

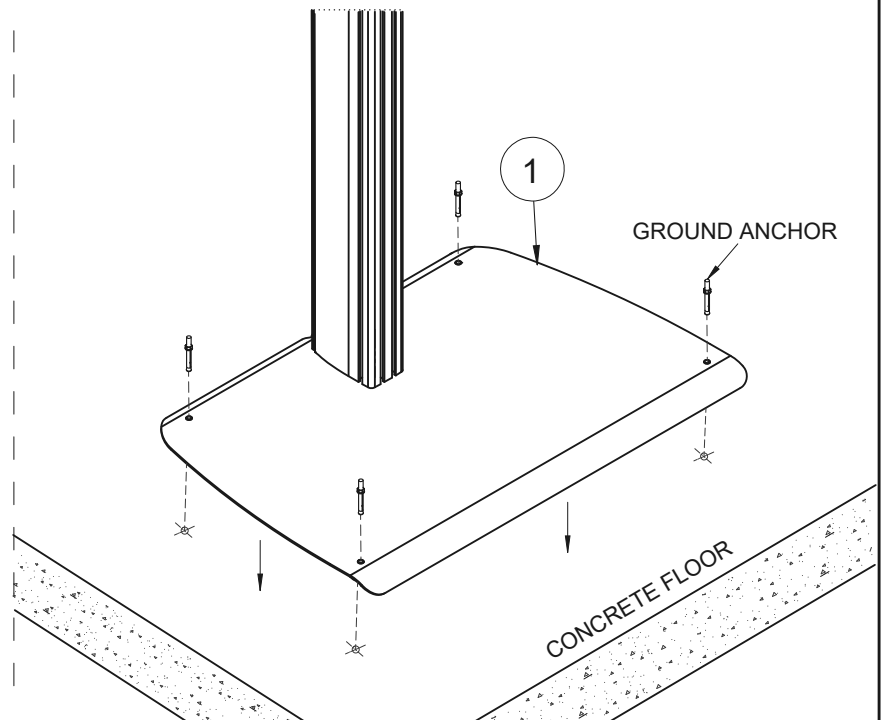
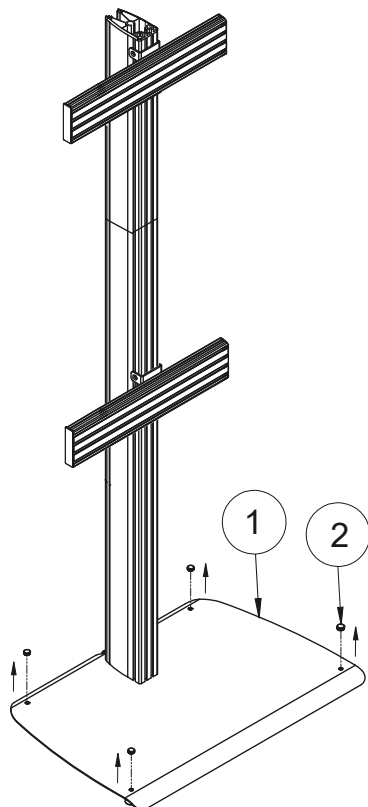
Assemble Column to Base

Attach the column (part 6) to the base (part 1) using the M8 washer (part 3), M8 x 50mm screws (part 4) and the 5AF hex key (part 5). Once base is fixed, return the stand to an upright position.



Optional: Bolting the Stand to the floor

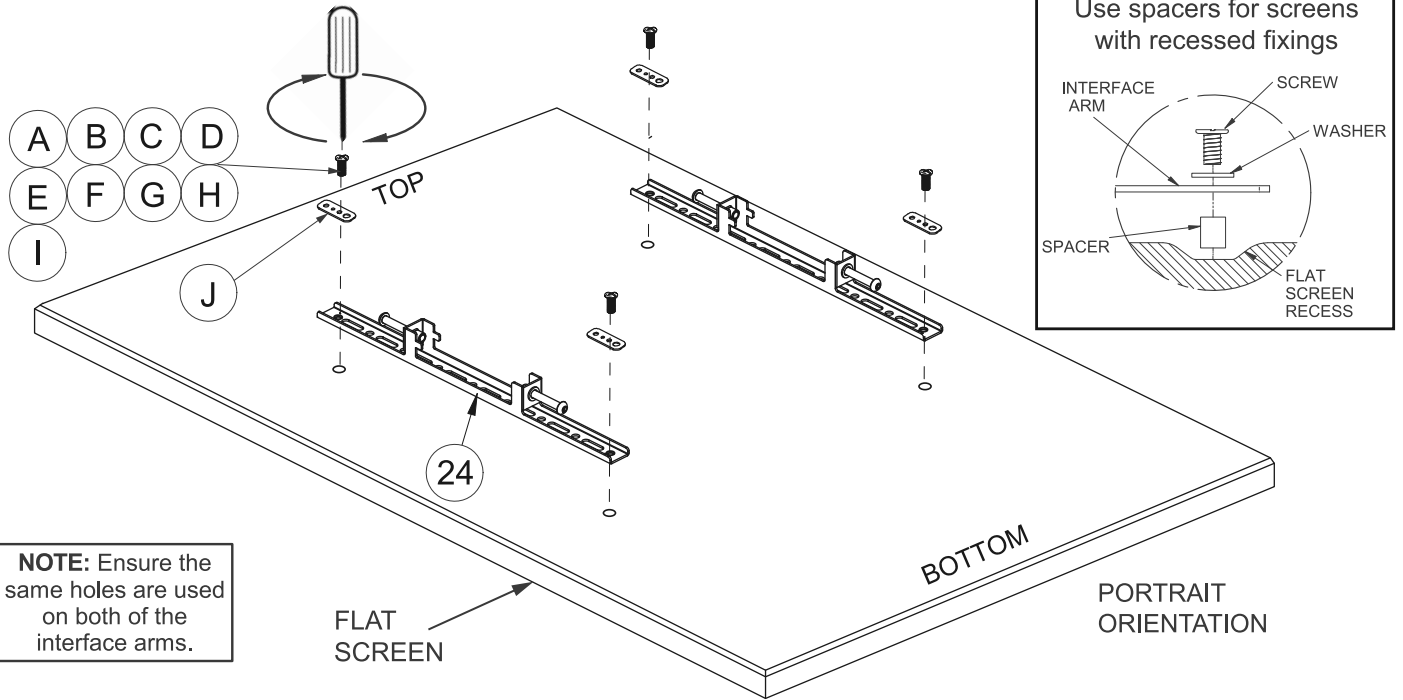
Remove the hole caps (part 2) and adjustable rubber feet from the base (part 1). Pre-drill holes in floor and using suitable ground anchor fixings (*not supplied*), fix stand to floor.



5

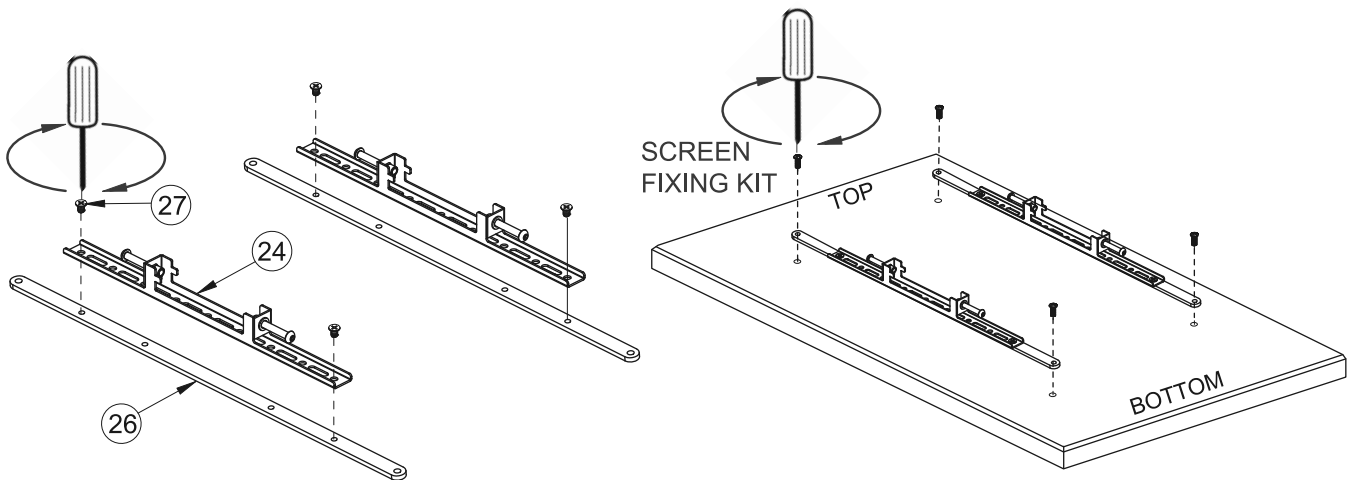
Attach Interface Arms to Screens

The interface arms (part 24) can mount screens with fixing patterns up to 400 x 400mm.

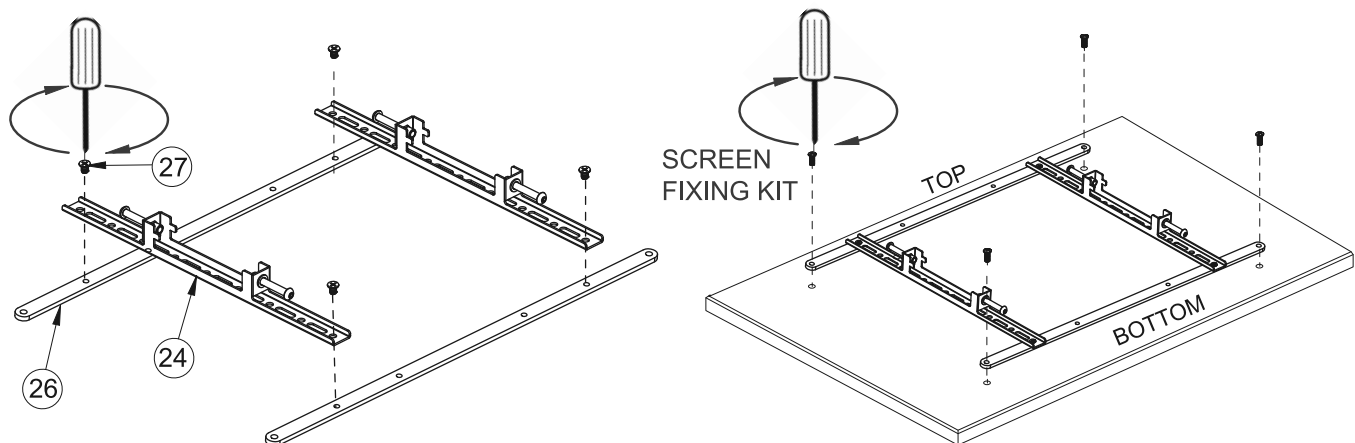


For screens with VESA 600 x 400mm fixings attach 600mm adaptor arms (part 26) onto interface arms (part 24).

PORTRAIT MOUNTING

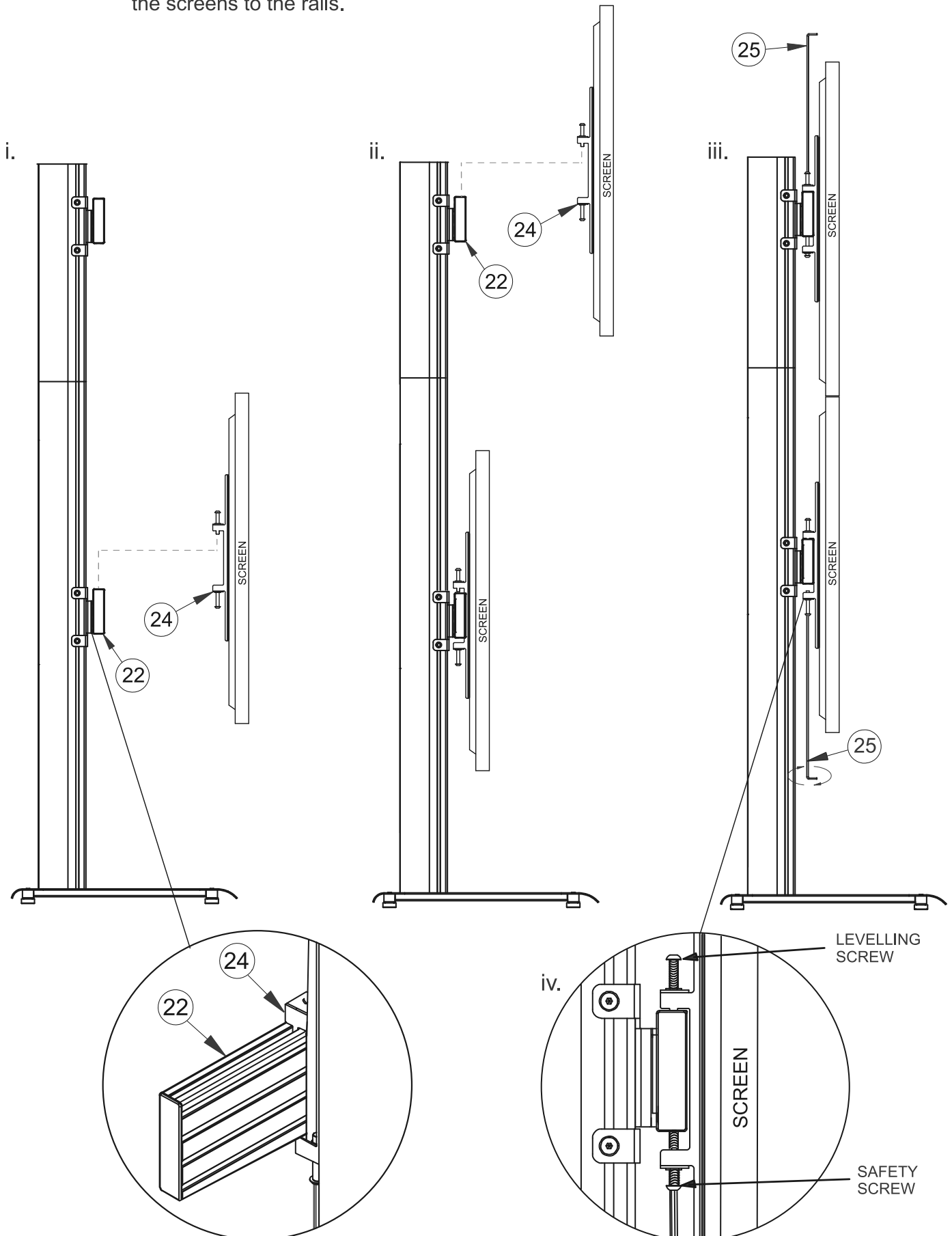


LANDSCAPE MOUNTING



Secure Screens to Stand

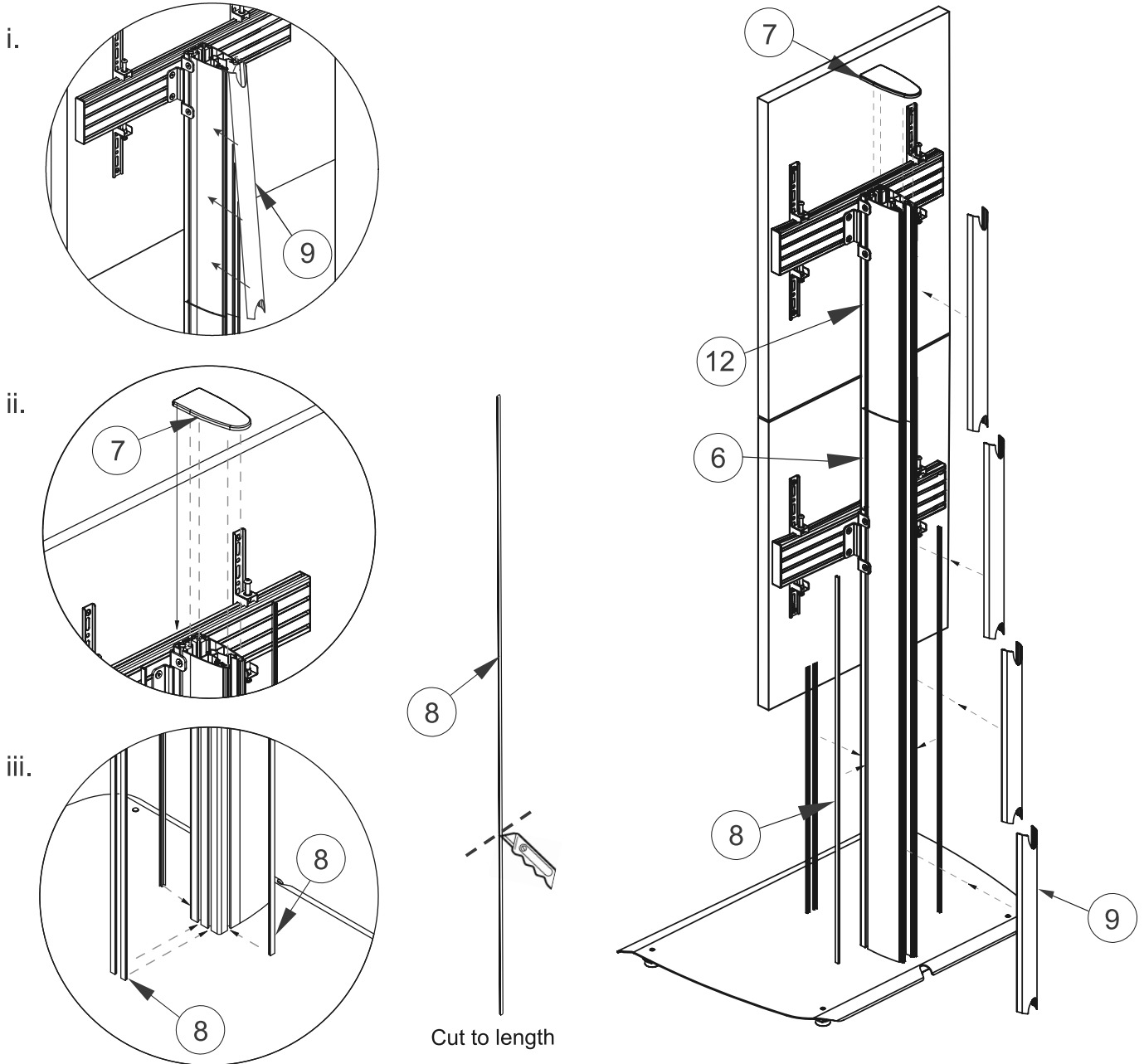
- i. Hook the first screen onto the bottom rail. *This may require 2 people.*
- ii. Once bottom screen has been mounted. Hook the second screen onto the top rail. *This may require 2 people.*
- iii. *Optional:* Use the top screws on the interface arms to level the height of the screens.
- iv. On both screens, tighten the safety screws on the bottom of each arm, securing the screens to the rails.



7

Add Cable Management Covers, End Cap and Plastic Slot Inserts

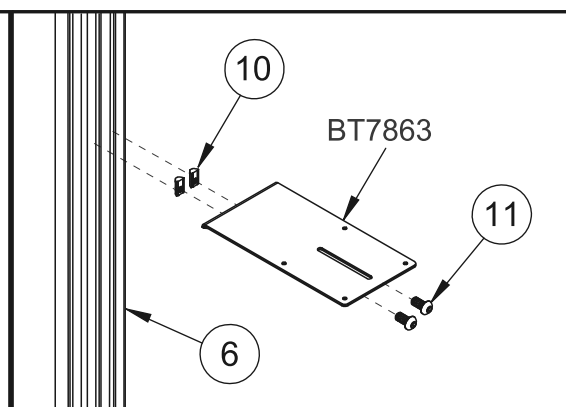
- i. After the screen cables are connected and routed down the back of the column (parts 6 & 12), partially clip on the cable management covers (part 9), this allows easy removal if more cables need adding. Once satisfied all cables are fitted, clip the covers on fully.
- ii. Fit end cap (part 7) to top of the column (part 12).
- iii. With a knife, cut to length the plastic slot inserts (part 8) and insert to the front and sides of the column (parts 6 & 12).



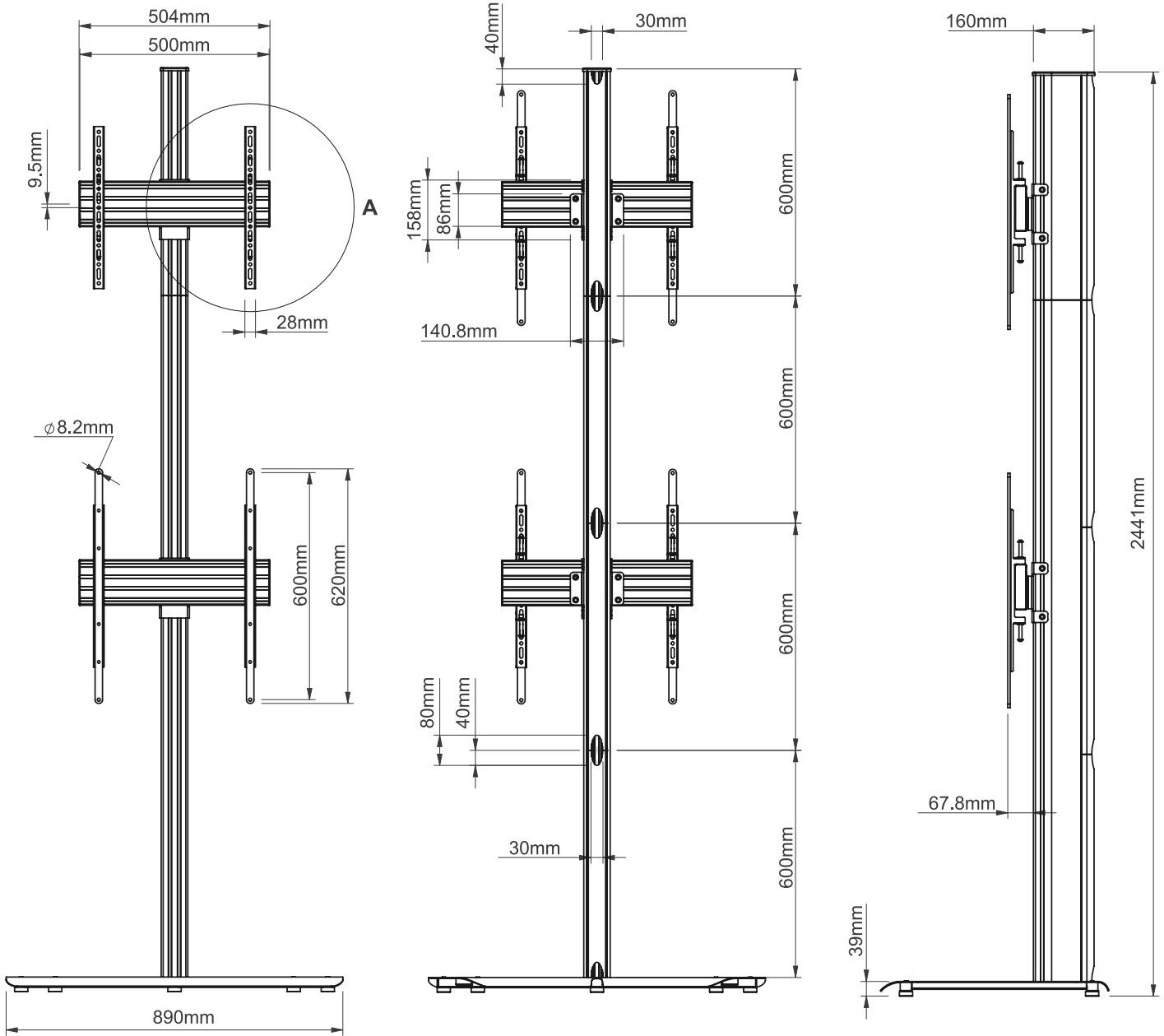
Optional: Adding a shelf

Insert 2 x M8 sliding nuts (parts 10) into the column's (part 6) front slots.

Mount a B-Tech Shelf (BT7032 / BT7033 / BT7863) by fastening the M8 x 12mm screws (part 11) to the M8 sliding nuts (part 10).



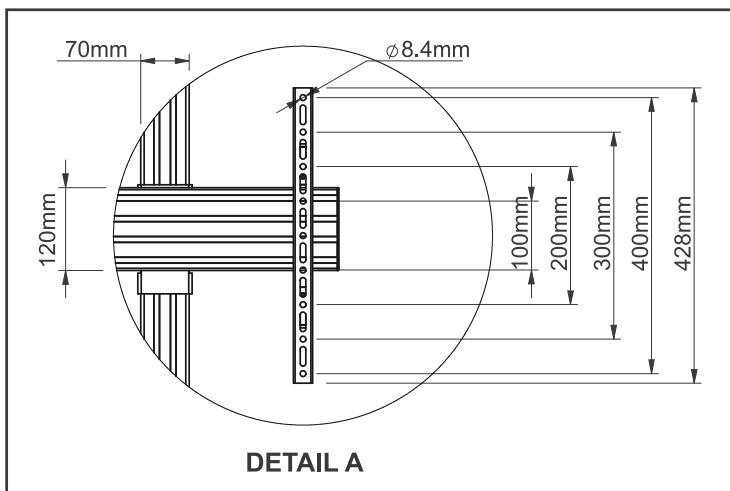
BTF842 PRODUCT DIMENSIONS



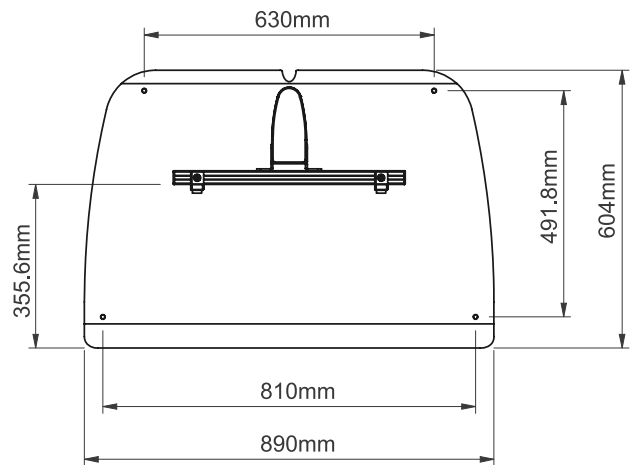
FRONT VIEW

REAR VIEW

SIDE VIEW



DETAIL A



TOP VIEW

THESE INSTRUCTIONS ARE INTENDED AS A GUIDE ONLY AND B-TECH ACCEPTS NO LIABILITY FOR THE ACCURACY OF THE INFORMATION CONTAINED IN THIS DOCUMENT.



www.btechavmounts.com

B-TECH AV MOUNTS

HEAD OFFICE

B-Tech International Limited

Bennett House, Long March, Daventry, Northants., NN11 4NR, UK

Email: info@btechavmounts.com

©2019 B-Tech International Design and Manufacturing Limited. All rights reserved.

B-Tech AV Mounts is a division of B-Tech International Design and Manufacturing Limited.

B-Tech, Better By Design & System X are registered trademarks of B-Tech International Design and Manufacturing Limited.

All other brands and product names are trademarks of their respective owners.

Photographs are for illustrative purposes only. E&OE.